

**LACELA**  
SAFETY & QUALITY

[WWW.LACELA.COM](http://WWW.LACELA.COM)



# Instruction

## ROTARY LASER

273102 275101 275103

Please read these operating instructions carefully before starting to work

To help you use this instrument conveniently, we provide a specific operation manual for you. Please read the manual carefully before you use the instrument and keep it well.

Model: \_\_\_\_\_

(2.5)

## Contents

|                                 |    |
|---------------------------------|----|
| 1. Instrument accessories ..... | 02 |
| 2. Cautions .....               | 02 |
| 3. Functional description ..... | 02 |
| 4. Laser line indication .....  | 03 |
| 5. Instrument layout .....      | 03 |
| 6. Specifications .....         | 04 |
| 7. Operation .....              | 05 |
| 8. Care and maintenance .....   | 05 |

## **1. Instrument accessories**

### **Standard accessories:**

1. Instrument
2. Aluminum carrying case
3. Instruction manual
4. Laser glasses
5. Alkaline battery

### **Optional accessories:**

1. Tripod
2. Detector
3. Wall Bracket
4. Laser target

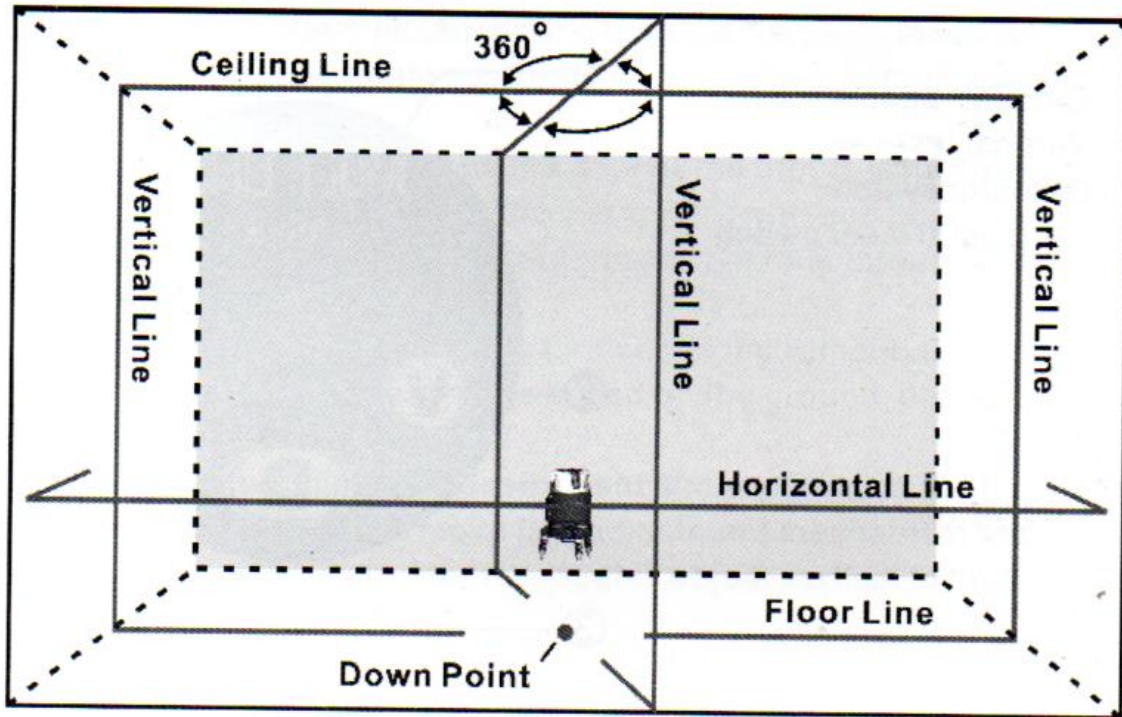
## **2. Cautions**

1. Multi line laser is classified as a Class 2 / 3A laser product according to United States Government Code of Federal Regulations CFR21.
2. Do not stare at the laser, it will damage your eyes.
3. When moving the instrument, please turning off the power.
4. Do not use an acute article like finger nail to push the button on the top of the unit.
5. When the instrument does not be used, please take off the battery to avoid battery electrolyte effusion.
6. Do not break up or throw the battery into fire, please recycle the battery after use.
7. Do not use or reserve the instrument under humid condition.
8. Avoid using C-ZN battery as far as possible.

## **3. Functional description**

1. The horizontal and vertical are separate button, it could make switches has more longer life span.
2. Can be used for indoor or outdoor. when using for outdoor, the receiver during the work can be used over 30m of radius.
3. Magnetic compensator ensures more quick self-leveling.
4. When the instrument inclines over incline alarm range, the laser line automatically gleams.
5. Rotating fine adjustment mechanism makes it easier to find objects correctly.
6. When turning off the power, built-in locking system can automatically lock the compensator to avoid vibration in the transportation.

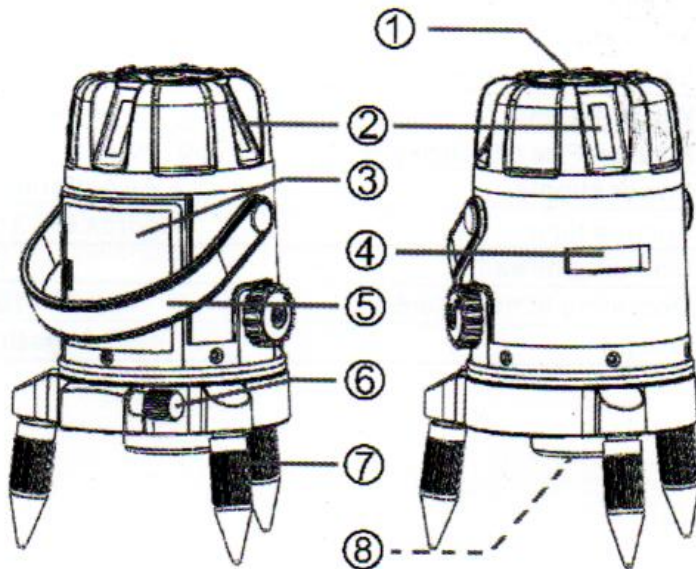
#### 4. Laser line indication



4V1H1D

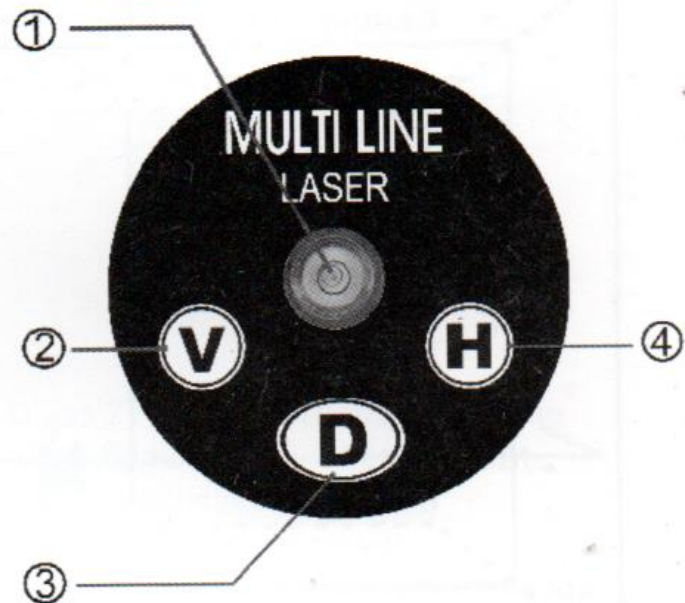
#### 5. Instrument layout

1. Switchboard
2. Vertical laser windows
3. Battery cover
4. Horizontal laser windows
5. Carrying belt
6. Fine adjustment switch
7. Leveling screw
8. Down point laser & mounting thread for tripod



## 5. Instrument layout

1. Circular bubble (LED)
2. Vertical laser switch
3. Detector switch
4. Horizontal laser switch



## 6. Specifications

|                          |   |
|--------------------------|---|
| Light sources            | 635nm laser diode / floor point 650nm     |
| Laser safety class       | Class 2 / Class 3A for High power         |
| Accuracy                 | $\pm 1\text{mm}/5\text{m}$                |
| Self-leveling range      | $\pm 3^\circ$                             |
| Working range            | Radius 30m (with detector)                |
| Rotation/Fine adjustment | 360° rotation / Fine adjustment mechanism |
| Power supply             | 3 X AA batteries / rechargeable batteries |
| Service time             | Approx 8~13 hours with all lines ON.      |
| Mounting thread          | 5/8" X 11                                 |
| Operating temperature    | -10°C ~ +40°C                             |
| Weight                   | 1.1kgs (including batteries)              |

## **7. Operation**

1. Take out the battery lid. According the sign " + , - " , insert alkaline batteries or rechargeable batteries to the battery socket, then cover the battery lid.
2. Setting up the instrument on the floor or the tripod. When using tripod, support the centering nut of the instrument with one hand and screw the centering screw into the centering nut female thread. Tighten the centering screw.
3. When the laser line blink while turn on the instrument, that means the instrument is over alarm range based on the ground, please adjust the three leveling screw or tripod.
4. Make the floor point of the instrument aim at object on the floor, line to aim at object. And then move fine adjustment mechanism and move upper part of the instrument to roughly adjust vertical to find objects correctly.

## **8. Care and maintenance**

1. Do not attempt to open the instrument. Only qualified service personnel should repair the instrument.
2. Do not drop, knock, or shake the instrument to avoid changing precision.
3. Remove the battery from the main unit when storing the instrument for a long time.
4. To clean the instrument, use a soft cloth with mild soap.
5. Don't use harsh chemicals, cleaning solvents, or strong detergents, and do not store the instrument in dusty and dirty areas.
6. To clean glass window, please use lens tissue.

# LACELA<sup>®</sup>

---

NEW GENERATION SAFETY TOOL

